

serie 01 LED

Made in Italy





Serie 01 LED

Leuchte für Kreisverkehre, Haupt- und Schnellstraßen, Parkplätze, Fuß- und Fahrradwege, Tunnels.

Lichttechnik "full cut off" konform L.R.L. Nr.17
 Lichtpunkthöhe 2,5 - 10 m
 Wirkungsgrad 89 %
 Betriebstemperatur - 40° C / + 60° C

Leuchtmittel 16/32/48/64/96 LED 1W (Nichia)
 Lichtfarbton weiß 5000° K
 Farbwiedergabe (CRI) > 85
 Lebensdauer > 50.000 Stunden

Leuchtenkörper Aluminium
 Mast und Ausleger Aluminium, feuerverzinkter Stahl, rostfreier Stahl
 Oberfläche Polyester - Pulverbeschichtung

serie 01 LED

armatura per rotatorie, superstrade, viali, parcheggi, piazze, piste ciclabili, isole pedonali, gallerie ecc.

ottica "full cut off" conforme L.R.L. N.17
 altezza punto luce 2,5 - 10 m
 rendimento 89%
 temp. operativa - 40° C / + 60° C

fonte luminosa 16/32/48/64/96 LED 1W (Nichia)
 tonalità luce bianca 5000° K
 resa cromatica (CRI) > 85
 durata > 50.000 ore

corpo alluminio
 palo e braccio alluminio, acciaio zincato a fuoco, acciaio inossidabile
 verniciatura a polveri di poliestere

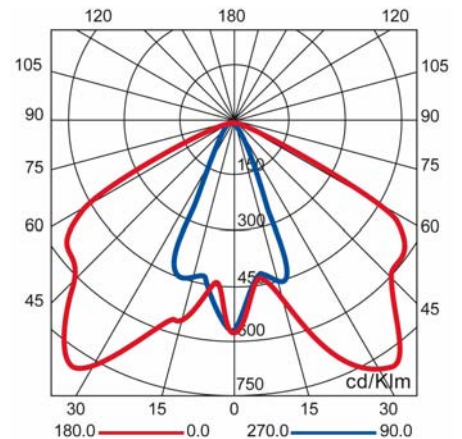
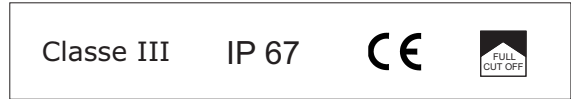
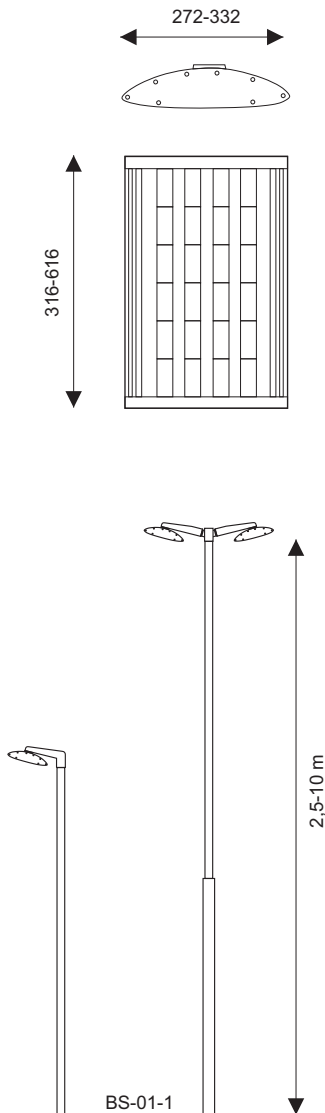
series 01 LED

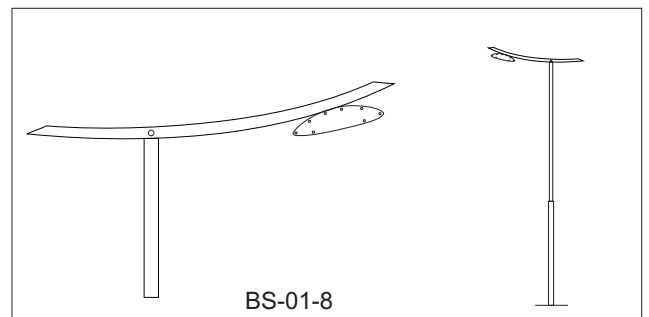
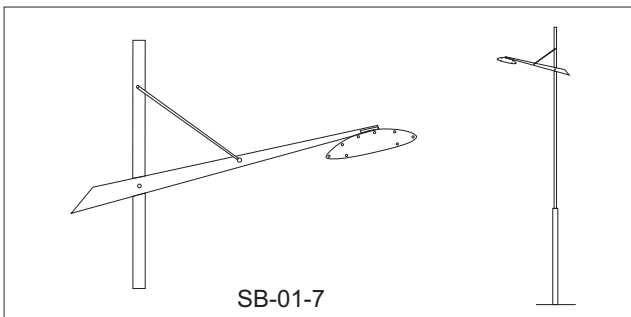
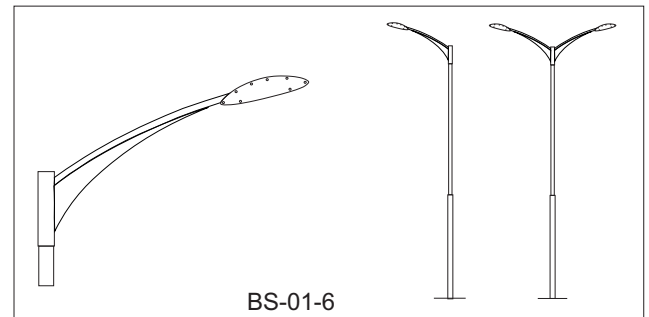
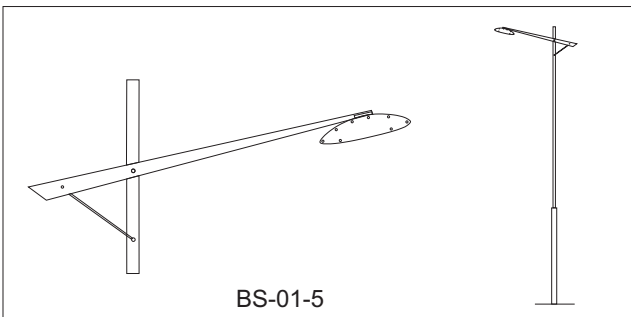
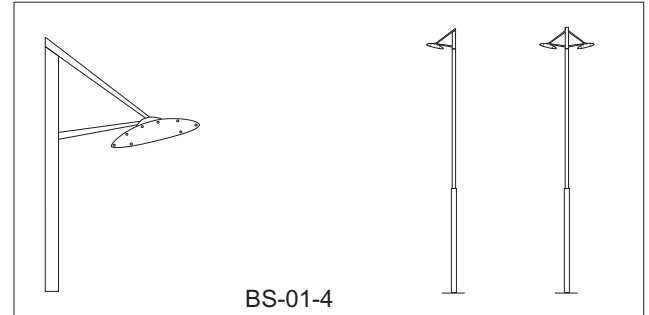
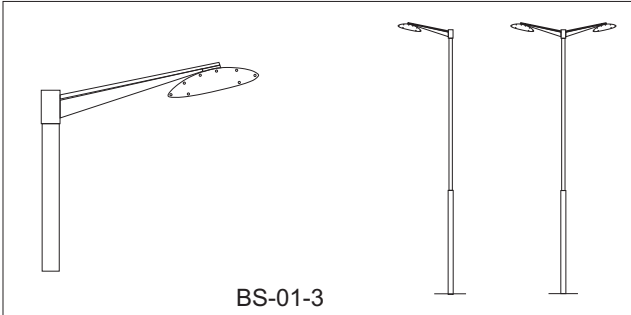
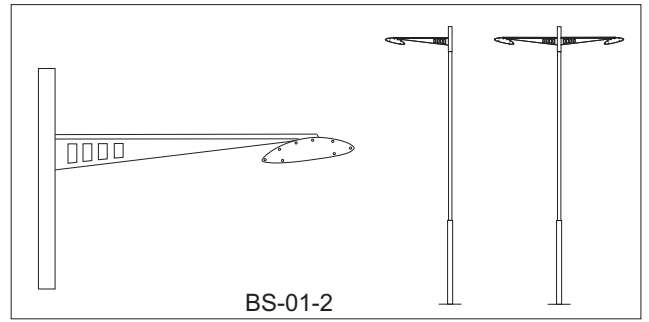
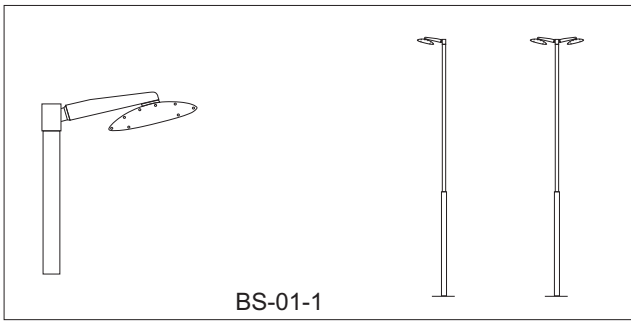
street- and gallery application.

emission "full cut off" conform L.R.L. N.17
 mounting hight 2,5 - 10 m
 efficiency 89%
 operating temp. - 40° C / + 60° C

light source 16/32/48/64/96 LED 1W (Nichia)
 light colour white 5000° K
 colour index (CRI) > 85
 life time > 50.000 hours

housing aluminium
 post, bracket aluminium, galvanized steel, stainless steel
 surface polyester powder coated



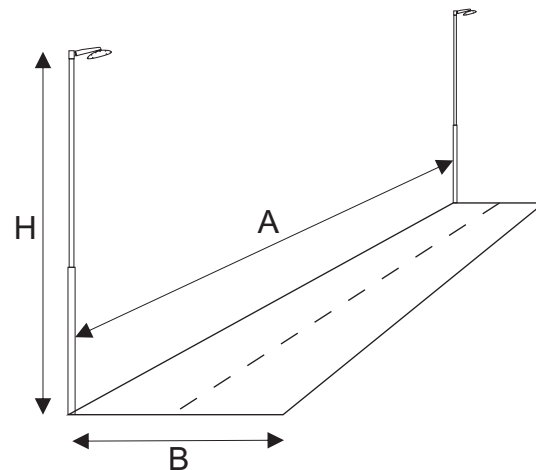


Verschiedene Ausleger auf Anfrage
diverse mensole su richiesta
various brackets on request



Mod Watt	H m	A m	B m	E min lux	E med lux	E max lux
15 W	3,5 m	11 m	3,5 m	10	18	32
15 W	3,5 m	13 m	3,0 m	5	17	35
15 W	4,0 m	12 m	4,0 m	9	15	24
15 W	4,0 m	15 m	3,5 m	4	13	26
30 W	5,0 m	15 m	5,0 m	11	19	34
30 W	5,0 m	18 m	4,5 m	6	17	33
30 W	6,0 m	18 m	6,0 m	7	13	23
30 W	6,0 m	21 m	5,0 m	4	12	25
45 W	7,0 m	21 m	7,0 m	8	15	26
45 W	7,0 m	24 m	6,0 m	5	15	31
45 W	8,0 m	24 m	7,0 m	7	12	20
45 W	8,0 m	27 m	6,0 m	5	12	23
60 W	8,0 m	24 m	8,0 m	8	16	27
60 W	8,0 m	27 m	7,0 m	6	15	29
60 W	9,0 m	27 m	8,0 m	7	13	23
60 W	9,0 m	30 m	7,0 m	5	12	24
90 W	9,0 m	27 m	9,0 m	8	17	46
90 W	9,0 m	30 m	8,0 m	7	17	33
90 W	10,0 m	30 m	9,0 m	8	16	29
90 W	10,0 m	35 m	8,0 m	6	13	26

Lichttechnische Werte
dati illuminotecnici
 lighting solutions



Tunnelbeleuchtung
illuminazione di gallerie
 gallery application



URBIS s.r.l-GmbH
 tel/fax + 39-0474-411196
 mobil + 39-348-7812120
 www.urbis-design.it
 mail: info@urbis-design.it